

A8 Compact. Reliable. Flexible.



Features

- 3" Jam-Free Direct Thermal POS Printer
- Compact Cube Design for Limited Counter Space
- Paper Top Exit and Front Exit for Flexible Operation
- Fast Printing Speed of up to 250mm/s
- High Resolution of up to 203dpi
- USB+Serial+Ethernet Interface
- Optional Bluetooth & WiFi Interfaces for Mobile Devices
- mPOS friendly Compatible with Android and iOS

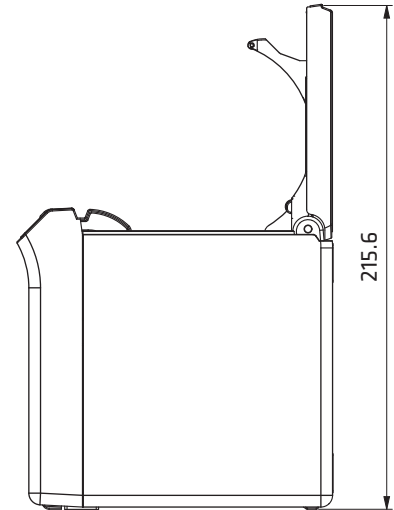
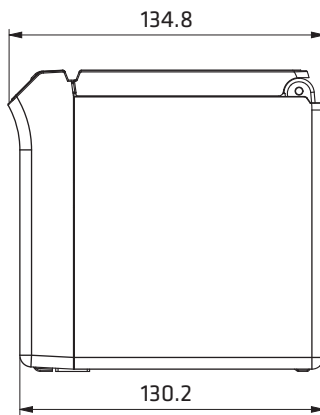
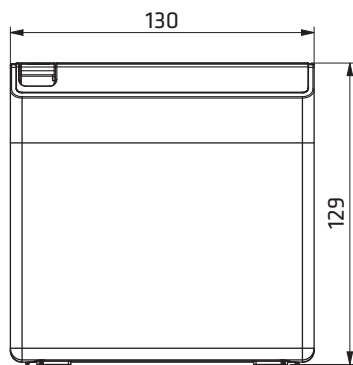
Specifications

Print	Print Method	Direct Thermal
	Print Speed	250mm/s
	Print Resolution	203.2 dpi (8dots/mm)
	Print Width	72mm
Print Font	Character Size	Font A 13 x 26 dots, Font B 10 x 20 dots
	Character per Line	Font A 42, Font B 56
	Character Sets	Alphanumeric: 95 Extended Graphics: 128 x 37 Page International: 32
	Barcode Types	1D : Coda Bar, Code39, Code93, Code128, EAN-8, EAN-13, ITF, UPC-A, UPC-E 2D : PDF417, QR Code
	Graphics	Supporting User-Defined Fonts, Graphics, Logos
Media	Type	Thermal Roll Paper
	Paper Feed	Friction Feed
	Loading	Drop In
	Width	58mm, 80mm
	Roll Diameter	Max. 83mm
	Thickness	70µm
	Auto Cutter	Full or Partial Selectable
	Partition	2 inch (58mm) (Option)
Reliability	MCBF	60million Lines
	TPH	150km
	Auto Cutter	1.5million Cuts
General	Interface	Prime Model : Serial + USB + Ethernet + (Option : WiFi/Bluetooth) Standard Model : Serial + USB + (Option : WiFi/Bluetooth)
	Support Mobile Operating Systems	Android, iOS (SDK)
	Receive Buffer	4kb
	Printer Driver	Windows Driver, OPOS Driver, Linux CUPS Driver, Virtual COM USB Driver, Utility Program
	Utility	NV
	Sensors	Paper End, Cover Open
	Drawer	2 Port (via Y-Type Adaptor)
	Power Supply	24V, 2A
	Temperature & Humidity	Operating : 0 ~ 45°C, 10 ~ 80% RH (No condensations) Storage : -20 ~ 60°C, 10 ~ 90% RH (No condensations)
	Safety Standards	CE, FCC
	Dimensions (W x H x D)	130 x 129 x 130.2 (mm), 5.1 x 5.07 x 5.1 (in)
	Packing Dimensions(W x H x D)	260 x 290 x 205 (mm), 10.23 x 11.41 x 8.07 (in)
	Weight	Prime Model : 752g, 1.65lbs / Standard Model : 746g, 1.64lbs
	Packing Weight	Prime Model : 2.45kg, 5.40lbs, Standard Model : 2.44kg, 5.37lbs
	Color	Dark Grey, White
	Options	Bluetooth, WiFi
Eco	RoHS	
Warranty	3 Years (Max.)	
What's in the Box	A8, Power Supply(Adapter, Power Cord), Paper Roll(30Ø), Installation Guide, USB Cable, Serial Cable (Option)	

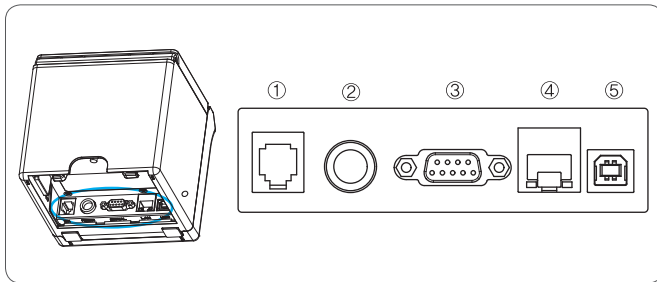
* Specifications may change without prior notice.

Dimensions

Unit : mm



I/O Interfaces



- ① Drawer Kick-Out
- ② Power Connector / 24V
- ③ Serial
- ④ Ethernet
- ⑤ USB (B type)

Ordering Information

Part No.	Description
A8 P(B)	Direct Thermal POS Printer USB+Serial+Ethernet Interface, Dark Grey
A8 P(W)	Direct Thermal POS Printer USB+Serial+Ethernet Interface, White
A8 PW(B)	Direct Thermal POS Printer USB+Serial+Ethernet Interface, Dark Grey WiFi/Bluetooth Option
A8 PW(W)	Direct Thermal POS Printer USB+Serial+Ethernet Interface, Dark Grey WiFi/Bluetooth Option



POSBANK[®]

HEADQUARTERS EUROPE / Via P. Mattarella, 32 / 30030 Gardigiano di Scorzè (VE) / T +39 041 58 30 380 / F +39 041 58 30 595 / www.posbank.eu / info@posbank.eu
 BRANCH OFFICE MADRID / Edificio Spaces, Calle de José Abascal 41 / 28003 Madrid / T +34 91 91 57 334

Copyright © 2019 POSBANK Co., Ltd.

POSBANK and the POSBANK logo are trademarks of POSBANK in the United States and other countries. All trademarks are the property of their respective owners. Intel, Celeron, Core are registered trademarks of Intel Corporation in the United States and other countries. Microsoft, Windows 7, Windows 8.1, Windows 10 IoT Enterprise and POS Ready 7 are registered trademarks of Microsoft Corporation in the United States and other countries. POSBANK shall not be liable for technical or editorial errors or omission contained herein. The information in this publication is informational purposes only and may be altered or amended by POSBANK. All statements regarding POSBANK's direction and intent are subject to change or withdraw without notice. Specifications may change without prior notice.