

ANYSHOP® PRIME



Features

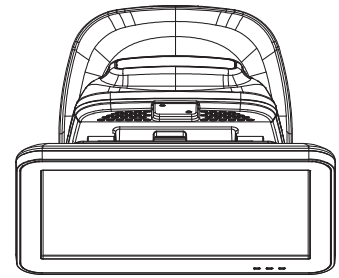
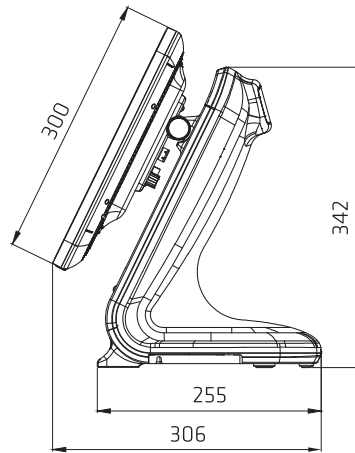
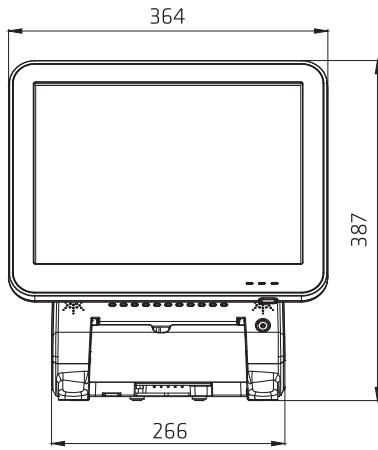
- POSBANK's Iconic ANYSHOP® Series Design
- Sleek and Elegant
- Intel®'s Latest High-Performance Processors
- 15" or 17" Bezel-Free True-Flat Display with PCAP Touch
- Dual Storage for Safe Data Backup
- Tool-less Design for Fast Installation and Easy Maintenance

Specifications

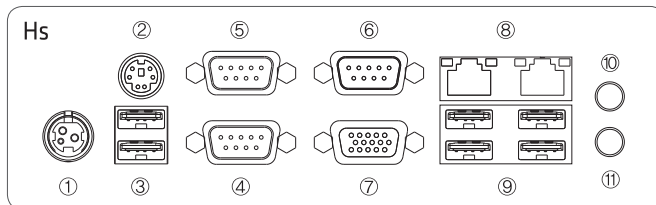
| | Hs | J19 | |
|-----------------------|--------------------------------|--|---|
| System | Processors | Intel® Core™ i5-6500T (6M Cache, Up to 3.10 GHz, 4 Cores) | Intel® Celeron® J1900 (2M Cache, 2.0/2.42 GHz(Burst), 4 Cores), Fanless |
| | Chipset | Intel® H170 | Intel® Bay Trail |
| | Memory | 4GB Standard (Max. 64GB), DDR4 2133MT/s, Socket 2 x SODIMM | 4GB Standard (Max. 8GB), DDR3L 1600 MT/s, Socket 2 x SODIMM |
| | Storage | SATA 3 (6Gb/s) 2.5 inch SSD 64GB (Max. 2 Optional), Support AHCI | SATA 2 (3Gb/s) 2.5 inch SSD 64GB, Support AHCI |
| | RAID | RAID 0,1 | - |
| | Operating Systems | Windows 10 IoT Enterprise | Windows 7, Windows 8.1, Windows 10 IoT Enterprise, POS Ready 7 |
| Display | Audio | Realtek ALC 892, Speaker-out 2 x 0.8W (Stereo) | |
| | Type | 15" TFT LCD, LED Backlight 17" TFT LCD, LED Backlight | |
| | Resolution | 15" 1024 x 768 17" 1280 x 1024 | |
| | Brightness | 15" 300 cd/m² (typ.) 17" Max. 300 cd/m² (typ.) | |
| Interface | Touchscreen | Projective Capacitive Touch | |
| | Display | 1 x VGA (With Power Output) | |
| | USB | 6 x USB 3.0 x 6 | 1 x USB 3.0 x 1, 5 x USB 2.0 |
| | PS/2 | 3 (Reserved for MSR, SCR, i-Button/Touch Controller/Camera), RJ-45 | 3 (Reserved for MSR, SCR, i-Button/Touch Controller/Camera), RJ-45 |
| | Serial | 1 (Reserved for Keyboard or Mouse) | |
| | LAN | 3 x Serial Port | |
| | Audio | 2 x Gigabit Ethernet, RJ-45 | |
| | Power DC-IN | 1 x Line-out, 1 x Mic-in | |
| | Power DC-IN | 1 x (3 Pin Connector) | 1 x (4 Pin Connector) |
| | Extension Slot | Mini PCIe | |
| Power | Power Supply | Adaptor 24V, 6A | Adaptor 12V, 5A |
| | Operating Temperature | 0 °C ~ 50 °C at 10% to 90% Humidity | |
| | Storage Temperature | -20 °C ~ 80 °C at 10% to 90% Humidity | |
| | Dimensions (W x H x D) | 364 x 387 x 306 (mm) 14.3 x 15.2 x 12.0 (in) | |
| | Packing Dimensions (W x H x D) | 420 x 380 x 485 (mm), 16.5 x 14.9 x 19.0 (in) | |
| | Net Weight | 7,500g, 16.5lbs | |
| | Packing Weight | 10,000g, 22.0lbs | |
| | Certification | CE, FCC, KC | |
| Options & Peripherals | Color | High Gloss Black, High Gloss White, Custom Colors Available | |
| | Display | 17" TFT LED Backlight, 1280 x 1024 | |
| | Touchscreen | 5-Wired Resistive | |
| | 2nd Displays | 9.7", 12.1", 15" LCD Display, 1024 x 768, Optional Touchscreen | |
| | Customer Display | VFD, 20 Columns x 2 Lines | |
| | I/O Expansion | 2 x USB 2.0 (Side) / 1 x Cash Drawer Port (Factory Option) | |
| | Storage | 2.5 inch SSD 128GB, HDD 500GB, 1TB 2nd 2.5 inch SSD 64GB, SSD 128GB, HDD 500GB, HDD 1TB | |
| | Magnetic Stripe Reader | Comply with ISO 7811, Support 1 & 2 & 3 Track | |
| | Smart Card Reader | EMV Level 1, 2 | |
| | Dallas | Dallas i-button Reader | |
| | Fingerprint | Yes | |
| | Battery | - | Smart Battery : 3S1P 2050mAh |
| | Camera | 5M USB Interface (Internal) (Factory Option) | |
| | WiFi | Mini PCIe for Wireless LAN | |

Dimensions

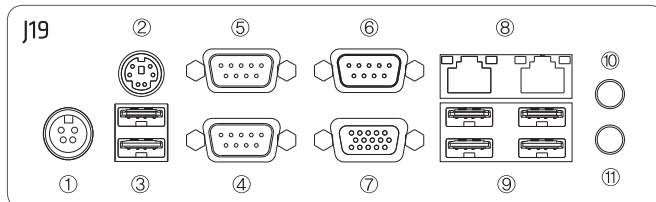
Unit : mm



I/O Interfaces



- ① Power Connector / 24V
- ② PS/2 Connector
- ③ USB 3.0 x 2
- ④ COM 1
- ⑤ COM 2
- ⑥ COM 3
- ⑦ VGA
- ⑧ LAN x 2
- ⑨ USB 3.0 x 4
- ⑩ AUDIO OUT
- ⑪ MIC IN



- ① Power Connector / 12V
- ② PS/2 Connector
- ③ USB 2.0 x 2
- ④ COM 1
- ⑤ COM 2
- ⑥ COM 3
- ⑦ VGA
- ⑧ LAN x 2
- ⑨ USB 3.0 x 1, USB 2.0 x 3
- ⑩ AUDIO OUT
- ⑪ MIC IN

Ordering Information

| Part No. | Description |
|----------------------|---|
| ANYSHOP PRIME (B) | Intel Celeron J1900 Quad-Core, DDR3 4GB, SSD 64GB, 15" P-CAP Touch, No O/S, Black |
| ANYSHOP PRIME Hs (B) | Intel Core i3-6100T, DDR4 4GB, SSD 64GB, 15" P-CAP Touch, Printer, No O/S, Black |
| ANYSHOP PRIME Hs (B) | Intel Core i5-6500T, DDR4 4GB, SSD 64GB, 15" P-CAP Touch, Printer, No O/S, Black |
| ANYSHOP PRIME Hs (B) | Intel Pentium G4400T, DDR4 4GB, SSD 64GB, 15" P-CAP Touch, Printer, No O/S, Black |
| IPO-MS 237 C_P_B | MSR, Black |
| IPO-MS 237 D3_IB_P_B | MSR + i Button, Black |
| IPO-MS 237 E2_SCR_B | MSR + SCR, Black |
| IPO-MS 237 E3_SCR_IB | MSR + SCR + i Button, Black |
| ANYSHOP P_9.7 (B) | 9.7" 2nd Display, Black, No Touch |
| ANYSHOP P_12.1 (B) | 12.1" 2nd Display, Black, No Touch |
| ANYSHOP P_15 (B) | 15" 2nd Display, Black, No Touch |
| ANYSHOP P_CDP | Customer Display, Black |

Peripherals



2nd Display
• 9.7", 12.1", 15" LCD



Customer Display
• VFD (2 Line x 20 Characters)



Card Reader
• MSR, SCR

POSBANK®

HEADQUARTERS EUROPE / Via P. Mattarella, 32 / 30030 Gardigiano di Scorzè (VE) / T +39 041 58 30 380 / F +39 041 58 30 595 / www.posbank.eu / info@posbank.eu
BRANCH OFFICE MADRID / Edificio Spaces, Calle de José Abascal 41 / 28003 Madrid / T +34 91 91 57 334

Copyright © 2018 POSBANK Co., Ltd.

POSBANK and the POSBANK logo are trademarks of POSBANK in the United States and other countries. All trademarks are the property of their respective owners. Intel, Celeron, Core are registered trademarks of Intel Corporation in the United States and other countries. Microsoft, Windows 7, Windows 8.1, Windows 10 IoT Enterprise and POS Ready 7 are registered trademarks of Microsoft Corporation in the United States and other countries. POSBANK shall not be liable for technical or editorial errors or omission contained herein. The information in this publication is informational purposes only and may be altered or amended by POSBANK. All statements regarding POSBANK's direction and intent are subject to change or withdraw without notice. Specifications may change without prior notice.