

# APEXA® GW-1560



## Features

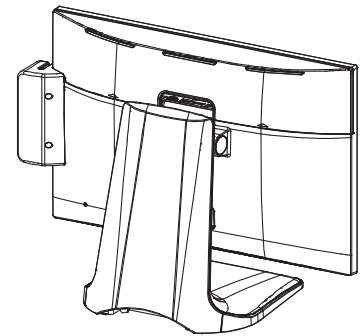
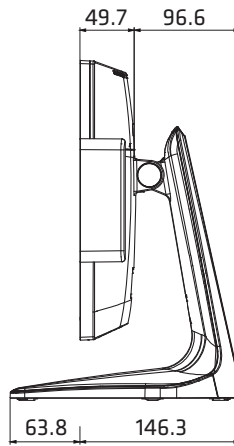
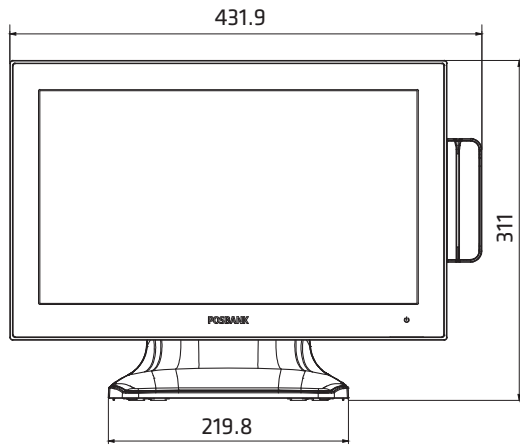
- 15.6" Wide Touchscreen POS Terminal
- Intel® Core™ / Pentium™ / Celeron™ Quad-Core Processor
- Bezel-Free TFT Display with PCAP Touch & LED Backlight
- Spill and Dust Resistant
- Contemporary and Modern Styling
- Multiple I/O Interfaces for Peripherals
- Flexible Deployment on a Counter or a Wall
- Fast Installation and Easy Serviceability

## Specifications

System	<b>Processors</b>	Intel®Core™ i5-1135G7 (8M cache, up to 4.20 GHz, 4 core) Intel®Core™ i3-1115G4 (6M cache, up to 4.10 GHz, 2 core) Intel®Celeron® J6412 (1.5M Cache, up to 2.60 Ghz, 4 Cores) Intel®Celeron® J3455 (2M Cache, 2.3 Ghz, 4 Cores)
	<b>Chipset</b>	i5-1135G7/i3-1115G4 Intel® Tiger Lake J6412 Intel® Elkhart Lake J3455 Intel® Apollo Lake
	<b>Memory</b>	i5-1135G7/i3-1115G4 8GB DDR4 3200 MT/s, Socket 1 x SODIMM (Max. 32GB) J6412 4GB DDR4 3200 MT/s, Socket 1 x SODIMM (Max. 32GB) J3455 4GB Standard, DDR3L 1600 MT/s, Socket 1 x SODIMM
	<b>Storage</b>	SATA 3 (6Gb/s) 2.5 inch SSD64/128 GB, support AHCI
	<b>Operating Systems</b>	Windows 10 IoT Enterprise
	<b>Audio</b>	Realtek ALC662-VD
Display	<b>Type / Resolution</b>	15.6" TFT LCD, LED Backlight / 1366 x 768
	<b>Brightness</b>	400 cd/m <sup>2</sup> (typ.)
	<b>Touchscreen</b>	Projective Capacitive Touch
Interface	<b>Display</b>	1 x VGA (With Power Output)
	<b>USB</b>	6 (Rear 2, Back 4, USB 3.0 x 2, USB 2.0 x 4) 3 (Reserved for MSR, SCR, i-Button / Touch Controller / Camera), RJ-45
	<b>Serial</b>	3 x Serial Port 3 x Dedicated for Accessories
	<b>LAN</b>	1 x Gigabit Ethernet, RJ-45
	<b>Audio</b>	1 x Line-out
	<b>Power DC-IN</b>	i5-1135G7/i3-1115G4 1 x (3 Pin connector) J3455 1x (4 Pin Connector)
	<b>Extension Slot</b>	Mini PCIe, m-SATA
Power	<b>Power Supply</b>	i5-1135G7/i3-1115G4 Adaptor 24V, 2A/24V, 4A ( Powered USB Option) J3455 Adaptor 12V, 5A
	<b>Operating Temperature</b>	0 °C ~ 60 °C at 10% to 90% Humidity
Physical & Environmental	<b>Storage Temperature</b>	-20 °C ~ 80 °C at 10% to 90% Humidity
	<b>Dimensions (W x H x D)</b>	364 x 333 x 210 (mm), 14.3 x 13.1 x 8.2 (in)
	<b>Packing Dimensions (W x H x D)</b>	500 x 470 x 300 (mm), 19.6 x 18.5 x 11.8 (in)
	<b>Net Weight</b>	5,300g, 11.6lbs
	<b>Packing Weight</b>	8,000g, 17.6lbs
	<b>Certification</b>	CE, FCC, KC, CB, CCC
	<b>Color</b>	Matte Dark Grey, High Gloss White
Options & Peripherals	<b>2nd Displays</b>	9.7", 12.1", 15" LCD Display, 1024 x 768, Optional Touchscreen
	<b>Customer Display</b>	VFD, 20 Columns x 2 Lines
	<b>I/O Expansion</b>	1 x COM5 (RJ-45 8 Pins) (Factory Option)
		1 x Cash Drawer Port (Factory Option)
		1 x Powered USB (24V)
	<b>Storage</b>	2.5 inch SSD 128GB, 256GB, HDD 500GB, 1TB
	<b>Magnetic Stripe Reader</b>	Comply with ISO 7811, Support 1 & 2 & 3 Track
	<b>Smart Card Reader</b>	EMV Level 1, 2
	<b>Dallas</b>	Dallas i-button Reader
	<b>Fingerprint</b>	Yes
	<b>Wall Mount Kit</b>	VESA-Compatible, 75 x 75 (mm), 100 x 100 (mm)
	<b>Serial Conversion Cable</b>	RJ-45 to D-sub 9
	<b>Speaker</b>	2 x 0.8W (Stereo)
<b>WiFi</b>	WLAN (802.11 a/b/g/n), On-board [Factory Option]	

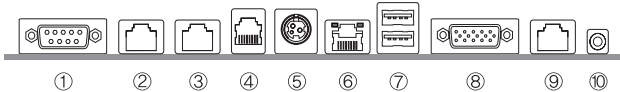
## Dimensions

Unit : mm



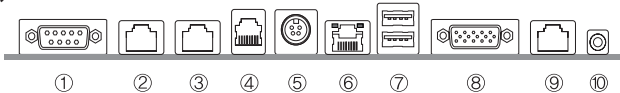
## I/O Interfaces

### IT8786E



- |                            |               |
|----------------------------|---------------|
| ① COM 1                    | ⑥ LAN         |
| ② COM 2                    | ⑦ USB 3.0 x 2 |
| ③ COM 3                    | ⑧ VGA         |
| ④ COM 4                    | ⑨ MSR         |
| ⑤ Power Connector / DC 24V | ⑩ AUDIO OUT   |

### J19



- |                            |               |
|----------------------------|---------------|
| ① COM 1                    | ⑥ LAN         |
| ② COM 2                    | ⑦ USB 2.0 x 2 |
| ③ COM 3                    | ⑧ VGA         |
| ④ COM 4                    | ⑨ MSR         |
| ⑤ Power Connector / DC 12V | ⑩ AUDIO OUT   |

## Ordering Information

Part No.	Description
APEXA GW_1560 (G)	Intel Celeron J1900 Quad-Core, DDR3 4GB, SSD 64GB, 15.6" P-CAP Touch, Dark Grey, No O/S
APEXA GW_P_1560 (G)	Intel Pentium 4415U, DDR4 4GB, SSD 64GB, 15.6" P-CAP Touch, Dark Grey, No O/S
APEXA GW_P_1560 (G)	Intel Core i5 7200U, DDR4 4GB, SSD 64GB, 15.6" P-CAP Touch, Dark Grey, No O/S

## Peripherals



**2nd Display**  
• 9.7", 12.1", 15" LCD



**Customer Display**  
• VFD (2 Line x 20 Characters)



**Card Reader**  
• MSR, SCR

**POSBANK®**

HEADQUARTERS EUROPE / Via P. Mattarella, 32 / 30030 Gardigiano di Scorzè (VE) / T +39 041 58 30 380 / F +39 041 58 30 595 / [www.posbank.eu](http://www.posbank.eu) / [info@posbank.eu](mailto:info@posbank.eu)  
BRANCH OFFICE MADRID / Edificio Spaces, Calle de José Abascal 41 / 28003 Madrid / T +34 91 04 72 013

Copyright © 2019 POSBANK Co., Ltd.

POSBANK and the POSBANK logo are trademarks of POSBANK in the United States and other countries. All trademarks are the property of their respective owners. Intel, Celeron, Core are registered trademarks of Intel Corporation in the United States and other countries. Microsoft, Windows 7, Windows 8.1, Windows 10 IoT Enterprise and POS Ready 7 are registered trademarks of Microsoft Corporation in the United States and other countries. POSBANK shall not be liable for technical or editorial errors or omission contained herein. The information in this publication is informational purposes only and may be altered or amended by POSBANK. All statements regarding POSBANK's direction and intent are subject to change or withdraw without notice. Specifications may change without prior notice.

# APEXA® AW-1560



## Features

- 15.6" Wide Bezel-Free True-Flat Display with PCAP Touch
- Highly Cost-effective POS Solution
- Power-efficient Cortex™- A17 Quad-Core Processor
- Android 7.0 with Developer-Friendly SDK
- Sleek and Compact Body with Small Footprint
- Optional 2nd Touch Displays
- Multiple I/O Interfaces for Peripherals
- Flexible Installation on a Counter or a Wall

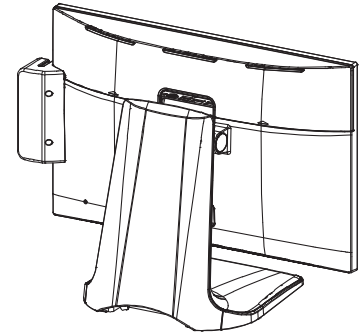
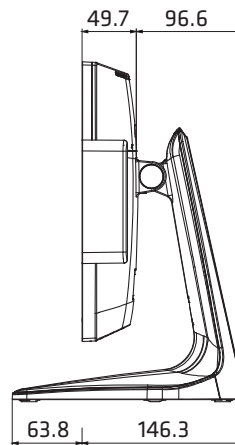
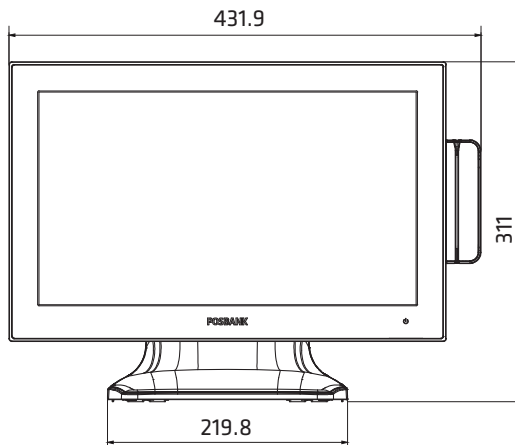
## Specifications

System	<b>Processors</b>	Cortex™-A17 Quad-Core (Up to 1.8GHz)
	<b>Memory</b>	4GB Standard, DDR3L 1600 MT/s, On-board
	<b>Storage</b>	eMMC 64GB, On-board
	<b>Operating Systems</b>	Android 7.x (Nougat)
	<b>Audio</b>	Realtek ALC5640
Display	<b>Type</b>	15.6" TFT LCD, LED Backlight
	<b>Resolution</b>	1366 x 768
	<b>Brightness</b>	400 cd/m <sup>2</sup> (typ.)
	<b>Touchscreen</b>	Projected Capacitive Touch
Interface	<b>Display</b>	1 x VGA (With Power Output)
	<b>USB</b>	6 (Rear 2, Back 4, USB 2.0 x 6) 3 (Reserved for MSR, SCR, i-Button/Touch Controller), RJ-45
	<b>Serial</b>	3 x Serial Port 3 x Dedicated for Accessories
	<b>WiFi</b>	Bluetooth (V4.0)+ WLAN (802.11 a/b/g/n) combo module
	<b>LAN</b>	1 x Gigabit Ethernet, RJ-45
	<b>Audio</b>	1 x Line-out
	<b>Power DC-IN</b>	1 x (4 Pin Connector)
Power	<b>Power Supply</b>	Adaptor 12V, 5A
Physical & Environmental	<b>Operating Temperature</b>	0 °C ~ 60 °C at 10% to 90% Humidity
	<b>Storage Temperature</b>	-20 °C ~ 80 °C at 10% to 90% Humidity
	<b>Dimensions (W x H x D)</b>	400 x 311 x 210 (mm), 15.7 x 12.2 x 8.3 (in)
	<b>Packing Dimensions (W x H x D)</b>	500 x 470 x 300 (mm), 19.6 x 18.5 x 11.8(in)
	<b>Net Weight</b>	5,300g, 11.6lbs
	<b>Packing Weight</b>	8,000g, 17.6lbs
	<b>Certification</b>	CE, FCC, KC
	<b>Color</b>	Matte Dark Grey, High Gloss White
Options & Peripherals	<b>2nd Displays</b>	9.7", 12.1", 15" LCD Display, 1024 x 768, Optional Touchscreen
	<b>Customer Display</b>	VFD, 20 Columns x 2 Lines
	<b>I/O Expansion</b>	1 x COM5 (RJ-45 8 Pins) (Factory Option) 1 x Cash Drawer Port (RJ-11 6 Pins) (Factory Option)
	<b>Storage</b>	Micro SD (Factory Option), Max 128GB
	<b>Magnetic Stripe Reader</b>	Comply with ISO 7811, Support 1 & 2 & 3 Track
	<b>Smart Card Reader</b>	EMV Level 1, 2
	<b>Dallas</b>	Dallas i-button Reader
	<b>Fingerprint</b>	Yes
	<b>Wall Mount Kit</b>	VESA-Compatible, 75 x 75(mm), 100 x 100(mm)
	<b>Serial Conversion Cable</b>	RJ-45 to D-sub 9
	<b>Speaker</b>	2 x 1W (Stereo) (Factory Option)

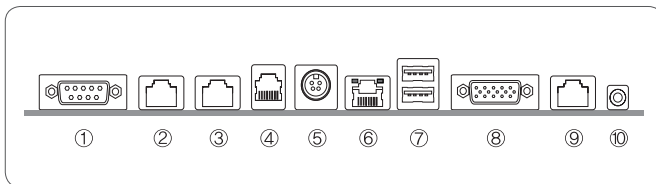
\* Specifications may change without prior notice.

## Dimensions

Unit : mm



## I/O Interfaces



- |                            |               |
|----------------------------|---------------|
| ① COM 1                    | ⑥ LAN         |
| ② COM 2                    | ⑦ USB 2.0 x 2 |
| ③ COM 3                    | ⑧ VGA         |
| ④ COM 4                    | ⑨ MSR         |
| ⑤ Power Connector / DC 12V | ⑩ AUDIO OUT   |

## Ordering Information

Part No.	Description
APEXA AW_1560 (G)	Cortex A17 Quad-Core (Up to 1,8GHz) 2GB Standard, DD3L 1600MT/s, On-board eMMC 8GB, On-board Android 7.0

## Peripherals



**2nd Display**  
• 9.7", 12.1", 15" LCD



**Customer Display**  
• VFD (2 Line x 20 Characters)



**Card Reader**  
• MSR, SCR

**POSBANK®**

HEADQUARTERS EUROPE / Via P. Mattarella, 32 / 30030 Gardigiano di Scorzè (VE) / T +39 041 58 30 380 / F +39 041 58 30 595 / [www.posbank.eu](http://www.posbank.eu) / [info@posbank.eu](mailto:info@posbank.eu)  
BRANCH OFFICE MADRID / Edificio Spaces, Calle de José Abascal 41 / 28003 Madrid / T +34 91 04 72 013

Copyright © 2019 POSBANK Co., Ltd.

POSBANK and the POSBANK logo are trademarks of POSBANK in the United States and other countries. All trademarks are the property of their respective owners. Intel, Celeron, Core are registered trademarks of Intel Corporation in the United States and other countries. Microsoft, Windows 7, Windows 8.1, Windows 10 IoT Enterprise and POS Ready 7 are registered trademarks of Microsoft Corporation in the United States and other countries. POSBANK shall not be liable for technical or editorial errors or omission contained herein. The information in this publication is informational purposes only and may be altered or amended by POSBANK. All statements regarding POSBANK's direction and intent are subject to change or withdraw without notice. Specifications may change without prior notice.