

IMPREX® PRIME



Features

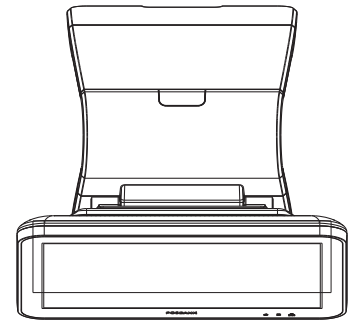
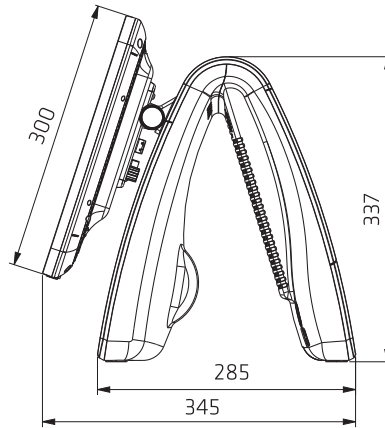
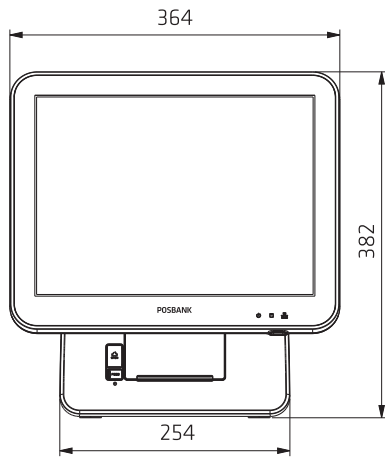
- Real All-in-One POS Terminal
- Stylish Look and Innovative Design
- High-Speed 3" Thermal Receipt Printer Integrated
- Intel®'s Latest High-Performance Processors
- 15" or 17" Bezel-Free True-Flat Display with PCAP Touch
- Multiple I/O Ports and Peripheral Options
- Tool-less and Modular Design for Easy Maintenance

Specifications

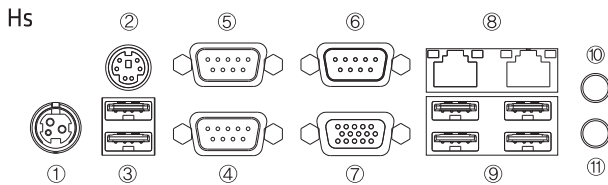
	Hs	J19	
System	Processors	Intel® Core™ i5-6500T (6M Cache, Up to 3.10 GHz, 4 Cores)	Intel® Celeron® J1900 (2M Cache, 2.0/2.42 GHz(Burst), 4 Cores), Fanless
	Chipset	Intel® H170	Intel® Bay Trail
	Memory	4GB Standard (Max. 64GB), DDR4 2133MT/s, Socket 2 x SODIMM	4GB Standard (Max. 8GB), DDR3L 1600 MT/s, Socket 2 x SODIMM
	Storage	SATA 3 (6Gb/s) 2.5 inch SSD 64GB (Max. 2 Optional), Support AHCI	SATA 2 (3Gb/s) 2.5 inch SSD 64GB, Support AHCI
	RAID	RAID 0,1	-
	Operating Systems	Windows 10 IoT Enterprise	Windows 7, Windows 8.1, Windows 10 IoT Enterprise, POS Ready 7
	Audio	Realtek ALC 892, Speaker-out 2 x 0.8W (Stereo)	
Display	Type	15" TFT LCD, LED Backlight 17" TFT LCD, LED Backlight	
	Resolution	15" 1024 x 768 17" 1280 x 1024	
	Brightness	15" 300 cd/m ² (typ.) 17" Max. 300 cd/m ² (typ.)	
	Touchscreen	Projective Capacitive Touch	
Interface	Display	1 x VGA (With Power Output)	
	USB	6 x USB 3.0 3 (Reserved for MSR, SCR, i-Button/Touch Controller/Camera), RJ-45	1 x USB 3.0 x 1, 5 x USB 2.0 3 (Reserved for MSR, SCR, i-Button/Touch Controller/Camera), RJ-45
	PS/2	1 (Reserved for Keyboard or Mouse)	
	Serial	3 x Serial Port	
	LAN	2 x Gigabit Ethernet, RJ-45	
	Audio	1 x Line-out, 1 x Mic-in	
	Power DC-IN	1 x (3 Pin Connector)	
	Extension Slot	Mini PCIe	
	Power	Power Supply	Adaptor 24V, 5A
Physical & Environmental	Operating Temperature	0 °C ~ 50 °C at 10% to 80% Humidity	
	Storage Temperature	-20 °C ~ 80 °C at 10% to 80% Humidity	
	Dimensions (W x H x D)	364 x 382 x 345 (mm), 14.3 x 15 x 13.5 (in)	
	Packing Dimensions (W x H x D)	460 x 480 x 460 (mm), 18.1 x 18.8 x 18.1 (in)	
	Net Weight	9,400g, 20.7 lbs	
	Packing Weight	12,500g, 27.5lbs	
	Certification	CE, FCC, KC, CCC	
	Color	High Gloss Black, High Gloss White, Custom Colors Available	
Options & Peripherals	Display	17" TFT LED Backlight, 1280 x 1024	
	Touchscreen	5-Wired Resistive	
	2nd Displays	9.7", 12.1", 15" LCD Display, 1024 x 768, Optional Touchscreen	
	Customer Display	VFD, 20 Columns x 2 Lines	
	I/O Expansion	1 x Parallel Port (D-SUB 25 Pins) / 1 x DVR Card (PCI 4 Channel) / 1 x Cash Drawer Port	
	Storage	2.5 inch SSD 128GB, HDD 500GB, 1TB / 2nd 2.5 inch SSD 64GB, SSD 128GB, HDD 500GB, HDD 1TB	
	Integrated Printer	3" Jam-Free Thermal, Max. 250mm/s, Auto Cutter (Interface : Serial, USB)	
	Magnetic Stripe Reader	Comply with ISO 7811, Support 1 & 2 & 3 Track	
	Smart Card Reader	EMV Level 1, 2	
	Dallas	Dallas i-button Reader	
	Fingerprint	Yes	
	System Fan	1 (40mm x 40mm, Normal Type)	
	Battery	-	Smart Battery : 3S1P 2050mAh
	Camera	5M USB Interface (Internal) (Factory Option)	
	WiFi	Mini PCIe for Wireless LAN	

Dimensions

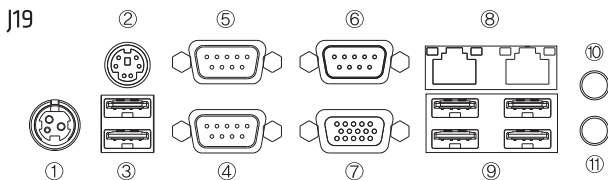
Unit : mm



I/O Interfaces



- ① Power Connector / 24V
 ② PS/2 Connector
 ③ USB 3.0 x 2
 ④ COM 1
 ⑤ COM 2
 ⑥ COM 3
 ⑦ VGA
 ⑧ LAN x 2
 ⑨ USB 3.0 x 4
 ⑩ AUDIO OUT
 ⑪ MIC IN



- ① Power Connector / 24V
 ② PS/2 Connector
 ③ USB 2.0 x 2
 ④ COM 1
 ⑤ COM 2
 ⑥ COM 3
 ⑦ VGA
 ⑧ LAN x 2
 ⑨ USB 3.0 x 1, USB 2.0 x 3
 ⑩ AUDIO OUT
 ⑪ MIC IN

Ordering Information

Part No.	Description
IMPRES PRIME (BP)	Intel Celeron J1900 Quad-Core, DDR3 4GB, SSD 64GB, 15" P-CAP Touch, Printer, No O/S, Black
IMPRES PRIME Hs (BP)	Intel Core i3-6100T, DDR4 4GB, SSD 64GB, 15" P-CAP Touch, Printer, No O/S, Black
IMPRES PRIME Hs (BP)	Intel Core i5-6500T, DDR4 4GB, SSD 64GB, 15" P-CAP Touch, Printer, No O/S, Black
IMPRES PRIME Hs (BP)	Intel Pentium G4400T, DDR4 4GB, SSD 64GB, 15" P-CAP Touch, Printer, No O/S, Black
IPO-MS 237 C_P_B	MSR, Black
IPO-MS 237 D3_IB_P_B	
IPO-MS 237 E2_SCR B	MSR + SCR, Black
IPO-MS 237 E3_SCR_IB	MSR + SCR + i Button, Black
IMPRES P_9.7 (B)	9.7" 2nd Display, Black, No Touch
IMPRES P_12.1 (B)	12.1" 2nd Display, Black, No Touch
IMPRES P_15 (B)	15" 2nd Display, Black, No Touch
IMPRES P_CDP (B)	Customer Display, Black

Peripherals



2nd Display
 • 9.7", 12.1", 15" LCD



Customer Display
 • VFD (2 Line x 20 Characters)



Card Reader
 • MSR, SCR

POSBANK®

HEADQUARTERS EUROPE / Via P. Mattarella, 32 / 30030 Gardigiano di Scorzè (VE) / T +39 041 58 30 380 / F +39 041 58 30 595 / www.posbank.eu / info@posbank.eu
 BRANCH OFFICE MADRID / Edificio Spaces, Calle de José Abascal 41 / 28003 Madrid / T +34 91 91 57 334

Copyright © 2018 POSBANK Co., Ltd.

POSBANK and the POSBANK logo are trademarks of POSBANK in the United States and other countries. All trademarks are the property of their respective owners. Intel, Celeron, Core are registered trademarks of Intel Corporation in the United States and other countries. Microsoft, Windows 7, Windows 8.1, Windows 10 IoT Enterprise and POS Ready 7 are registered trademarks of Microsoft Corporation in the United States and other countries. POSBANK shall not be liable for technical or editorial errors or omission contained herein. The information in this publication is informational purposes only and may be altered or amended by POSBANK. All statements regarding POSBANK's direction and intent are subject to change or withdraw without notice. Specifications may change without prior notice.